



ALTAIR

DIRECT VENT GAS FIREPLACES



astria
FIREPLACES®

Traditional
Fireplace
Design Collection



FEATURED Altair 4.0 with Black Tie Ceramic Fiber Liner

ALTAIR

The Altair Series of direct vent gas fireplaces represents customizable realism. This elegant series comes standard with magnificent high-definition logs, vibrant flames, and wireless wall-mounted controls. The Altair Series offers a variety of optional accessories that allow you to tailor your fireplace to your personal taste. Altair Series fireplaces will transform any house into a cozy and inviting home.

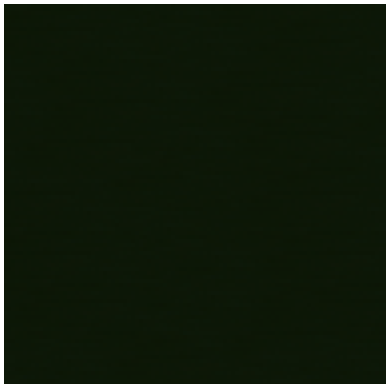


FEATURED Altair 40 with high-definition logs and vibrant flames

Options

INTERIOR

Black Painted interior (Standard) or choose optional Black Reflective Porcelain, or Ceramic Fiber liner kits that deliver the true look of masonry craftsmanship.



Black Painted Interior (Standard)



Black Tie Ceramic Fiber Liner



Black Reflective Porcelain Liner



Heritage Brown Ceramic Fiber Liner



Old Town Red Ceramic Fiber Liner

EXCLUSIVE FEATURES

- ◆ Available in 40" and 45" clean-faced models
- ◆ Combo Top/Rear flue configuration
- ◆ Millivolt or electronic ignition models available
- ◆ Electronic ignition models include seamless battery backup and provide continued operation in the event of a power outage (IPI/CPI switch standard)
- ◆ Standard tempered glass with protective screen*
- ◆ High-definition ceramic fiber log set with heavy-duty grate
- ◆ Black painted interior (optional liners available)
- ◆ Durable textured powder coat finish
- ◆ Optional blower and remote control available for all models
- ◆ Limited lifetime warranty



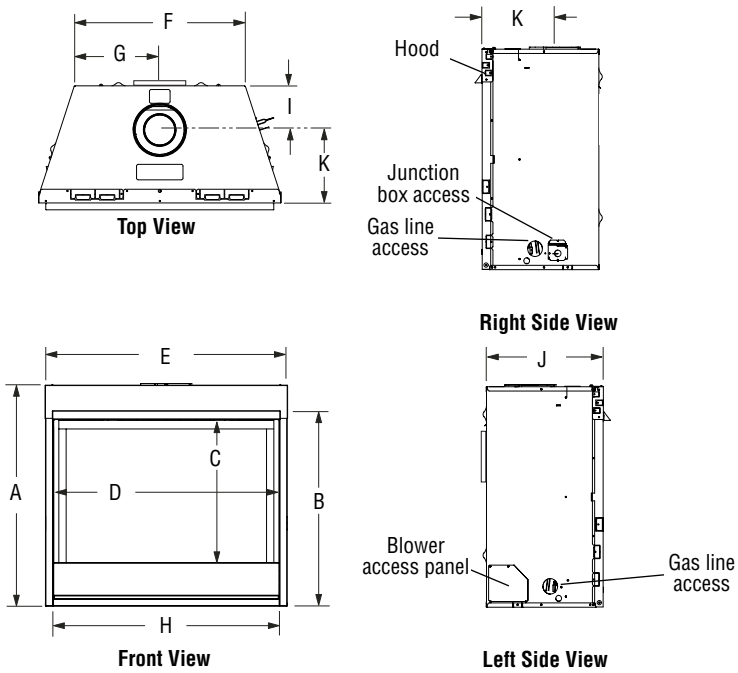
*Wireless Wall-Mounted Control
(Standard with Electronic Ignition Models)*



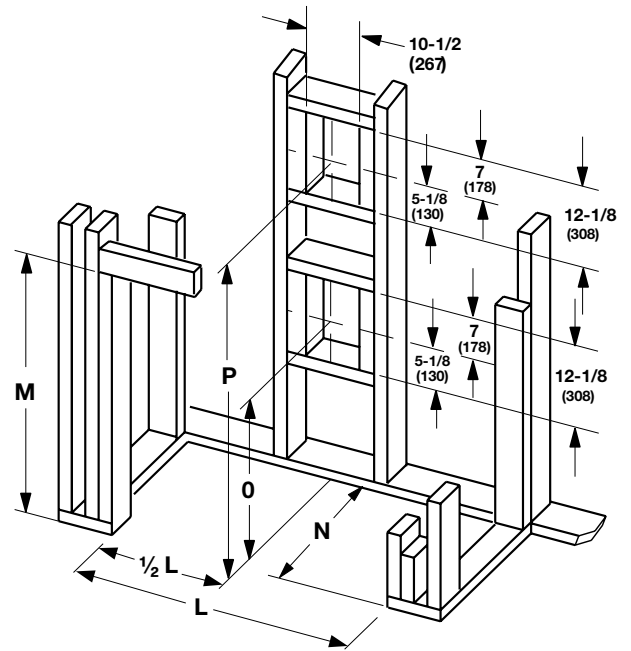
*Hand-Held Remote Control
(Optional)*

*All applicable models comply with ANSI Z21.50/88 barrier requirements.

APPLIANCE SPECIFICATIONS



FLAT WALL FRAMING SPECIFICATIONS



	ALTAIR 40	ALTAIR 45
A	37-1/8"	37-1/8"
B	33-1/4"	33-1/4"
C	27-1/4"	27-1/4"
D (DOOR)	37-3/8"	42-3/8"
E	40-1/4"	45-1/4"
F	30"	35"
G	15"	17-1/2"
H	37-7/8"	42-7/8"
I	6-7/8"	6-7/8"
J	21"	21"
K	12-3/8"	12-3/8"

	ALTAIR 40	ALTAIR 45
L	40-7/8"	45-7/8"
M	41-1/4"	41-1/4"
N	22"	22"
O	28-1/4"	28-1/4"
P	43-3/4"	43-3/4"

FIREPLACE EFFICIENCIES – Listed to ANSI Z21.50 as a decorative gas appliance.

MODEL	FUEL	BTU/HR	P4 / ENERGUIDE*
ALTAIR 40	NG	20,000-28,000	49-52%
ALTAIR 40	LP	18,000-25,000	49-52%
ALTAIR 45	NG	21,000-31,000	50-56%
ALTAIR 45	LP	20,000-31,000	50-56%

*Intermittent ignition systems.

FRONT COVER Altair 40 with Black Painted Interior

IMPORTANT NOTES:

As with any fireplace, this appliance is extremely hot during operation. Read and understand all operating instructions before using this appliance. For further information, consult your dealer.

Local conditions, such as elevation, wind, vent configuration and choice of fuel will affect overall appearance of the fire and heating performance. Performance can also vary with home design and insulation, climate, condition and type of fuel used, appliance location, burn rate, accessories chosen, chimney installation and how the appliance is operated.

Diagrams, illustrations and photographs are not to scale—consult installation instructions. Product designs, materials, dimensions, specifications, colors and prices are subject to change or discontinuance without notice.



Approved for use with European Copper and Chimney Classics chimney tops, which improve performance and add an elegant touch.

astria
FIREPLACES®

© 2016 Innovative Hearth Products
785677M 08/16

Visit us online



Astria.us.com

PFS®
C US
Report #16-120

