

# ALTAIR™ 40/45 SERIES

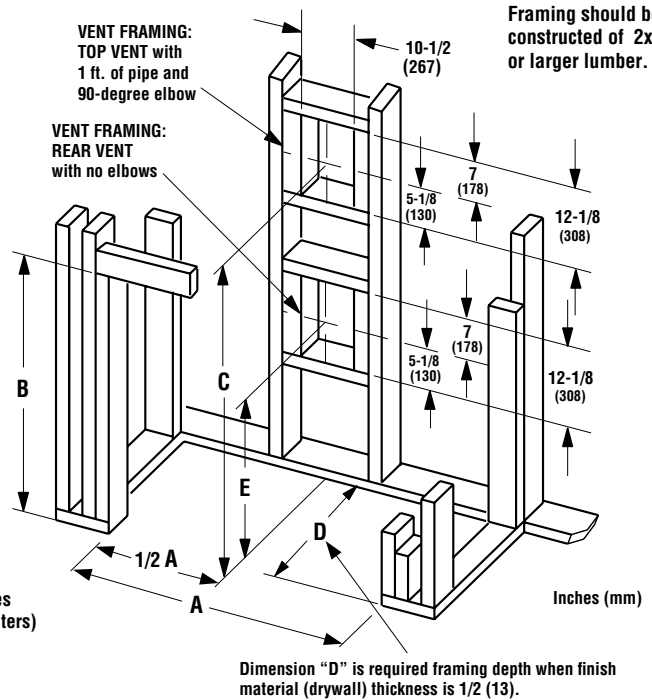
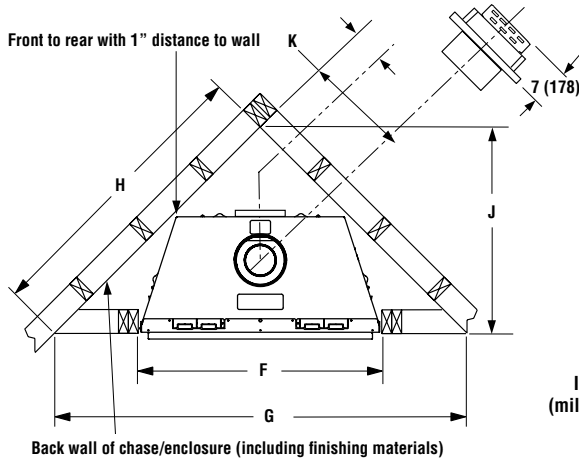
## Appliance Specifications

## DIRECT-VENT FIREPLACES

Framing Dimensions - Inches (millimeters)						
Model		A	B	C	D	E
40" Models	in.	40-7/8	41-1/4	43-3/4	22	28-1/4
	mm	1039	1048	1111	559	717
45" Models	in.	45-7/8	41-1/4	43-3/4	22	28-1/4
	mm	1166	1048	1111	559	717

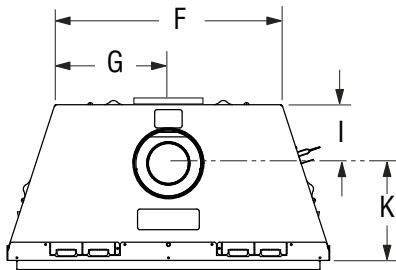
Model No.		F	G	H	J	K
40" Models	in.	40-3/8	78-1/4	55-1/2	40-1/2	15-7/8
	mm	1026	1988	1410	1029	404
45" Models	in.	45-3/8	85-7/8	61	40-1/2	17-1/2
	mm	1153	2182	1550	1029	445

Framing Dimensions



Diagrams, illustrations and photographs are not to scale. Consult installation instructions. Product designs, materials, dimensions, specifications, colors, and prices are subject to change or discontinuance without notice.

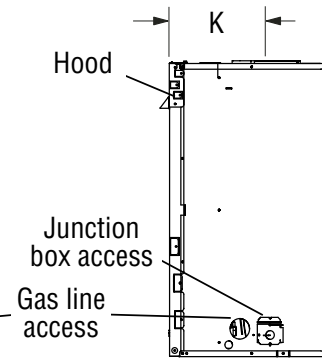
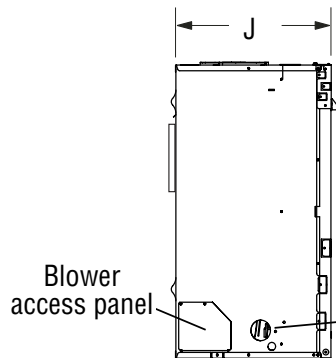
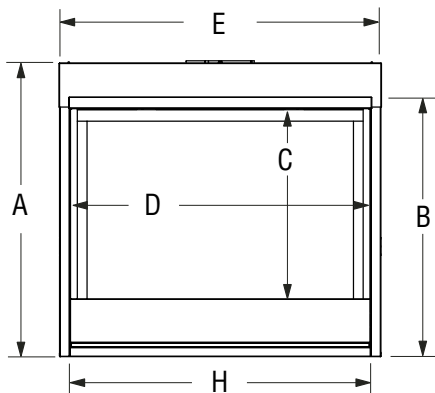
Fireplace Dimensions



Model	A	B	C	D (door)	E	F
40" Models	37-1/8 (943)	33-1/4 (845)	27-1/4 (692)	37-3/8 (949)	40-1/4 (1022)	30 (762)
45" Models	37-1/8 (943)	33-1/4 (845)	27-1/4 (692)	42-3/8 (1076)	45-1/4 (1149)	35 (889)

Model	G	H	I	J	K
40" Models	15 (381)	37-7/8 (962)	6-7/8 (175)	21 (534)	12-3/8 (315)
45" Models	17-1/2 (445)	42-7/8 (1089)	6-7/8 (175)	21 (534)	12-3/8 (315)

Inches (millimeters)



Left Side View

Right Side View

# ALTAIR™ 40/45 SERIES

Product Reference Information

Product Reference Information			
Cat. No.	Model	Ship. Wt.	Ship. Volume
F2644	Altair 40DMN-B	210 lb.	43 cu. ft.
F2645	Altair 40DMP-B		
F2646	Altair 40DEN-B	210 lb.	43 cu. ft.
F2647	Altair 40DEP-B		

Product Reference Information			
Cat. No.	Model	Ship. Wt.	Ship. Volume
F2640	Altair 45DMN-B	223 lb.	43 cu. ft.
F2641	Altair 45DMP-B		
F2642	Altair 45DEN--B	223 lb.	43 cu. ft.
F2643	Altair 45DEP-B		

Listing Information



Report No. 16-120

Tested to ANSI Z21.50 (in Canada, CSA-2.22) & CAN/CGA-2.17-M91 in both USA and Canada, as vented gas fireplace heaters.

Shelf Height

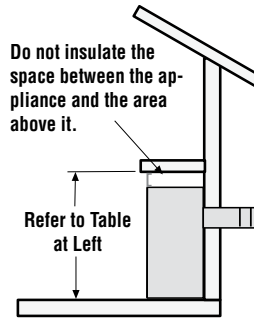
Model	Top Vent with one 90° Elbow		Alternative Rear Vent applications
	Secure Vent®	Secure Flex® (flex elbow)	Secure Vent®
40"	52" (1321 mm) *	54" (1372 mm) *	47" (1194 mm)**
45"	52" (1321 mm) *	54" (1372 mm) *	47" (1194 mm)**

Minimum Clearances ❶ Inches (millimeters)	
Back	1" (26 mm) to wrapper 0" (0 mm) to Spacers
Sides	1/2" (13 mm) to wrapper 0" (0 mm) to Spacers ❷
Top Standoffs	0" (0 mm) to top standoffs
Floor	0 (0)
From Bottom of Unit To Ceiling	64 (1626)
Vent	3 (77) Top ❶ 1 (26) Sides & Bottom
SERVICE CLEARANCES Feet (meters)	
Front	3 feet (0.9 meters)

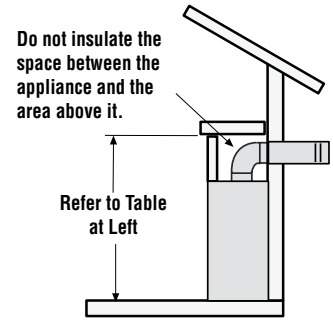
\* Includes 3" clearance to combustibles (required above vent components)  
In alternative, Rear Vent applications, Top Vent will be sealed as detailed in Installation Sequence Step 4 (Page 19 in Installation and Operation Manual).

\*\* In alternative, Rear Vent applications, Top Vent will be sealed as detailed in Installation Sequence Step 4 (Page 19 in Installation and Operation Manual).

## Shelf Height Minimum Clearances

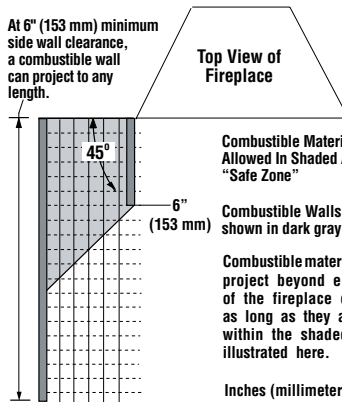


Shelf Above Fireplace With Rear Venting



Shelf Above Fireplace With Top Venting

Clearances



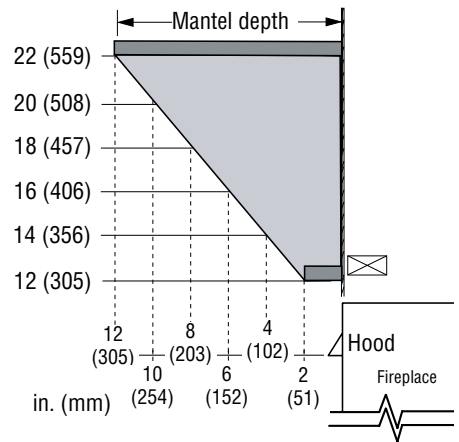
### Top View of Fireplace

Combustible Materials Allowed in Shaded Area "Safe Zone"

Combustible Walls shown in dark gray

Combustible materials may project beyond either side of the fireplace opening as long as they are kept within the shaded area illustrated here.

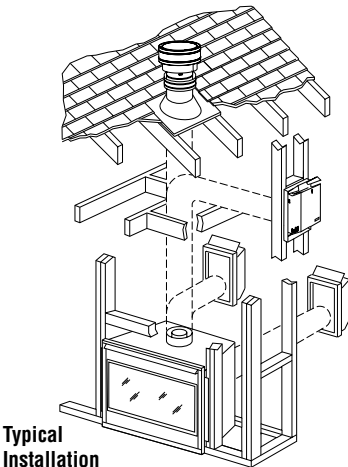
Inches (millimeters)



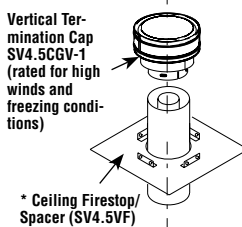
❶ NOTE: 3" (77 mm) above any horizontal/inclined vent component.

❷ NOTE: See Installation Instructions Manual (Step 1) for clearance requirements to the nailing flange located at each side of the unit and any screw heads adjacent to it.

Venting Requirements



Typical Installation

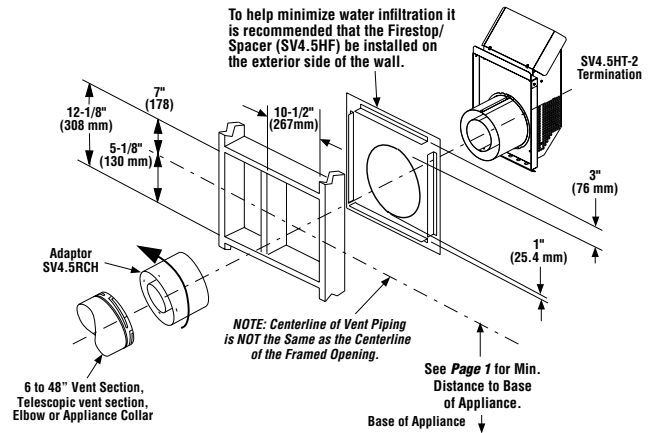


### Roof Framing

Min. 10-1/2" (267 mm)

Min. 10-1/2" (267 mm)

Uses 4.5" / 7.5" Secure Vent® Rigid and Secure Flex® Direct-Vent Components



Specifications and clearances are subject to change without notice. Refer to Installation Manual before installation of these appliances for updated dimensions and instructions.