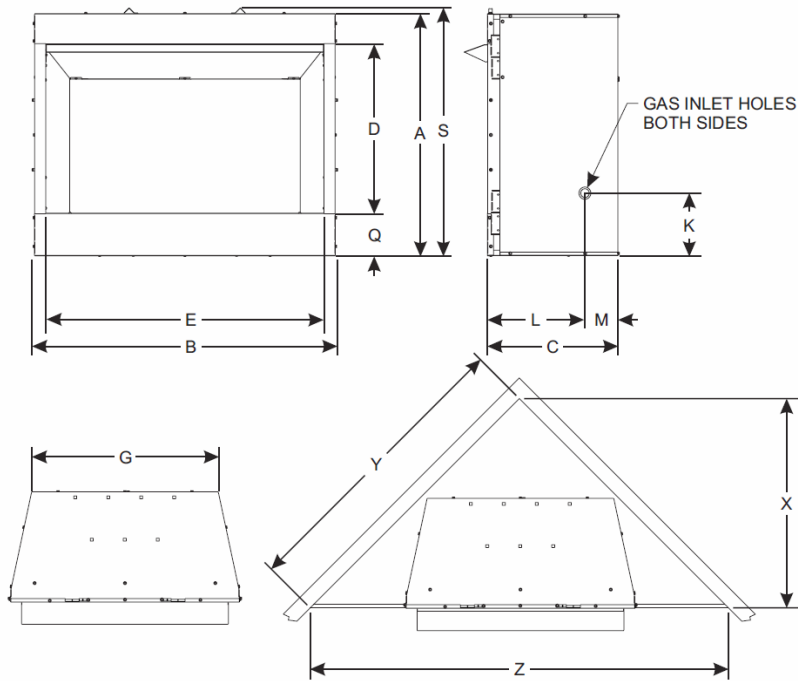
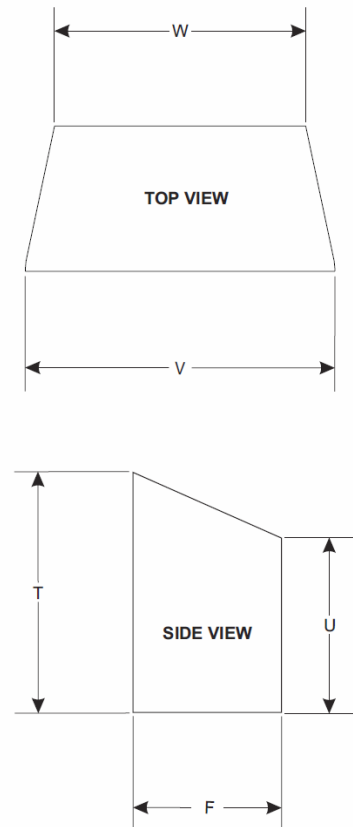


FIREBOX DIMENSIONS

OUTER FIREBOX DIMENSIONS



INNER FIREBOX DIMENSIONS



INDEX LETTER	DIMENSION DESCRIPTION	DIMENSIONS (in inches)		
		OP32	OP36	OP42
A	The maximum height of firebox face (excluding standoffs)	33-1/16	35-1/16	35-1/16
B	The maximum width of the firebox face (excluding nailing flanges)	35	40	44
C	The maximum depth of the firebox	16-9/16	19	19
D	The height of the firebox opening	22-1/4	24-1/4	24-1/4
E	The width of the firebox opening	31	36	40
F	The interior depth of the firebox	13-3/16	15-9/16	15-9/16
G	The rear exterior width of the firebox	27-7/8	31-7/8	35-7/8
K	Height from the bottom of the box to the gas line opening	8-11/16	8-11/16	-11/16
L	Depth from the front of the box to gas line opening	11-5/8	14	14
M	Depth from rear of box to gas line opening	4-3/4	4-3/4	4-3/4
Q	Distance from floor to firebox opening	6-3/16	6-3/16	6-3/16
S	Overall height to header	33-13/16	35-13/16	35-13/16
T	Interior front height of firebox	21-3/8	24-3/16	24-3/16
U	Interior rear height of firebox	17-7/8	19-1/4	19-1/4
V	Interior front width of firebox	29-7/16	34-5/16	38-5/16
W	Interior rear width of firebox	24	28	32
X	Corner installed depth	30-3/16	34-11/16	36-3/4
Y	Corner installed wall length	42-11/16	49-1/16	51-15/16
Z	Corner installed width	60-3/8	69-5/16	73-5/16