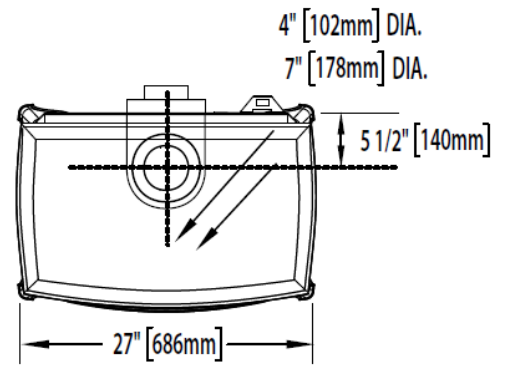
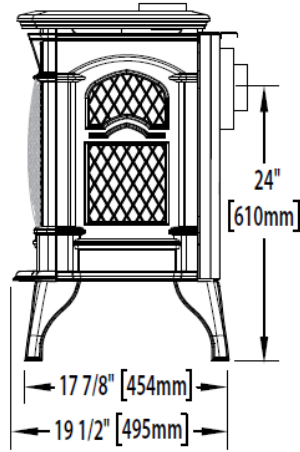
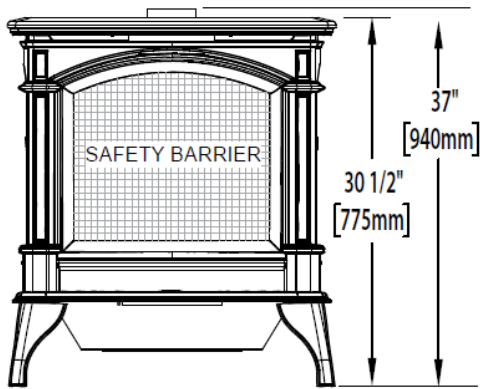


# Knightsbridge GDS60 Specs



Model	BTU's (Input)		Venting	Height	Front Width	Depth	Glass Type	Glass Size	
	Natural Gas	Propane		Actual	Actual	Actual		Height	Width
GDS60	35,000	31,500	Top or Rear	30 1/2"	27"	19 1/2"	Ceramic	18 3/4"	21"

Efficiencies			Blower Kit	Mobile Home Certified	Electronic Ignition	Minimum Clearances to Combustibles		
EnerGuide	AFUE	Steady State				Corner	Rear	Sides
63.1%	64%	78%	Optional	Yes	Yes	2"	6"	6"